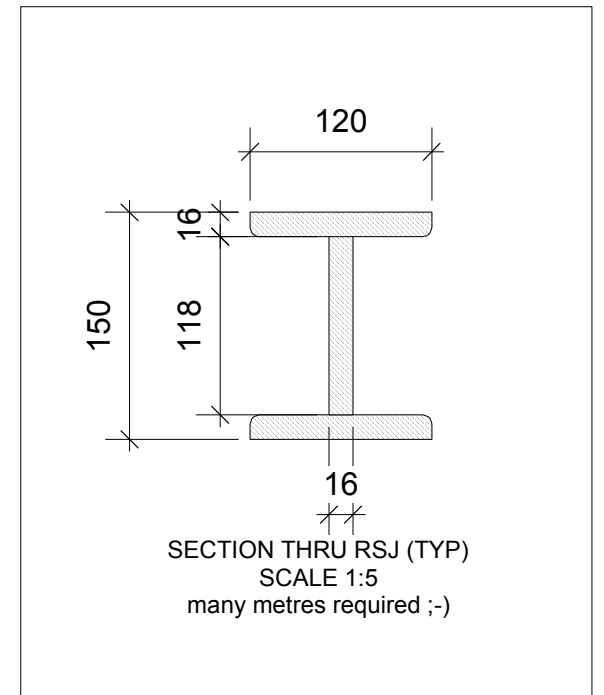
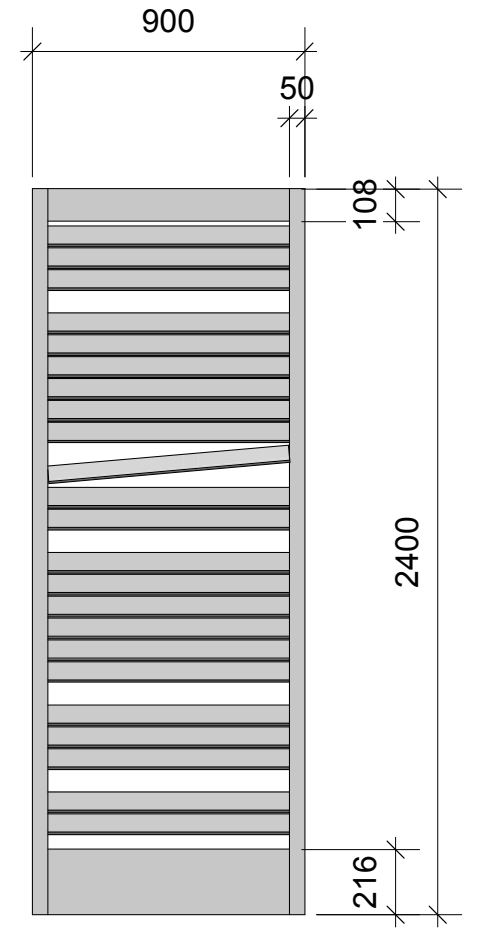
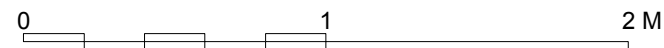


Slats approx  
80mm wide  
cut from  
12mm MDF



©2007 - ALL RIGHTS RESERVED  
Bob Dickason 172 Scamander Ave Scamander Tas 7215  
www.bobdickason.com

NOTE: All dimensions to be checked before construction.  
Colours shown are schematic only.



Please confirm scale after copying, faxing or printing in any  
fashion not from the original VectorWorks file.

DRAWING: Entrance US centre (dimens5)

PROJECT: CATS set realisation

COMPANY: ExitLeft Productions

DESIGNER: Bob Dickason

SCALE: 1:25

FILE: 498EXI

DATE: 30.8.07

VERSION:  
5.0