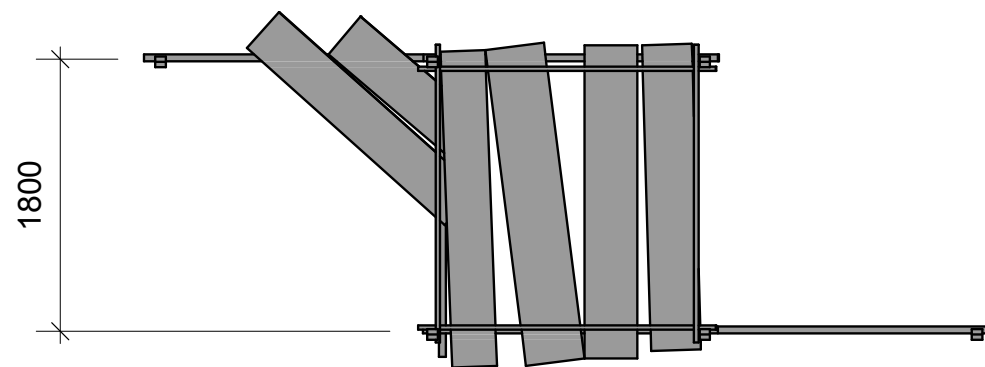
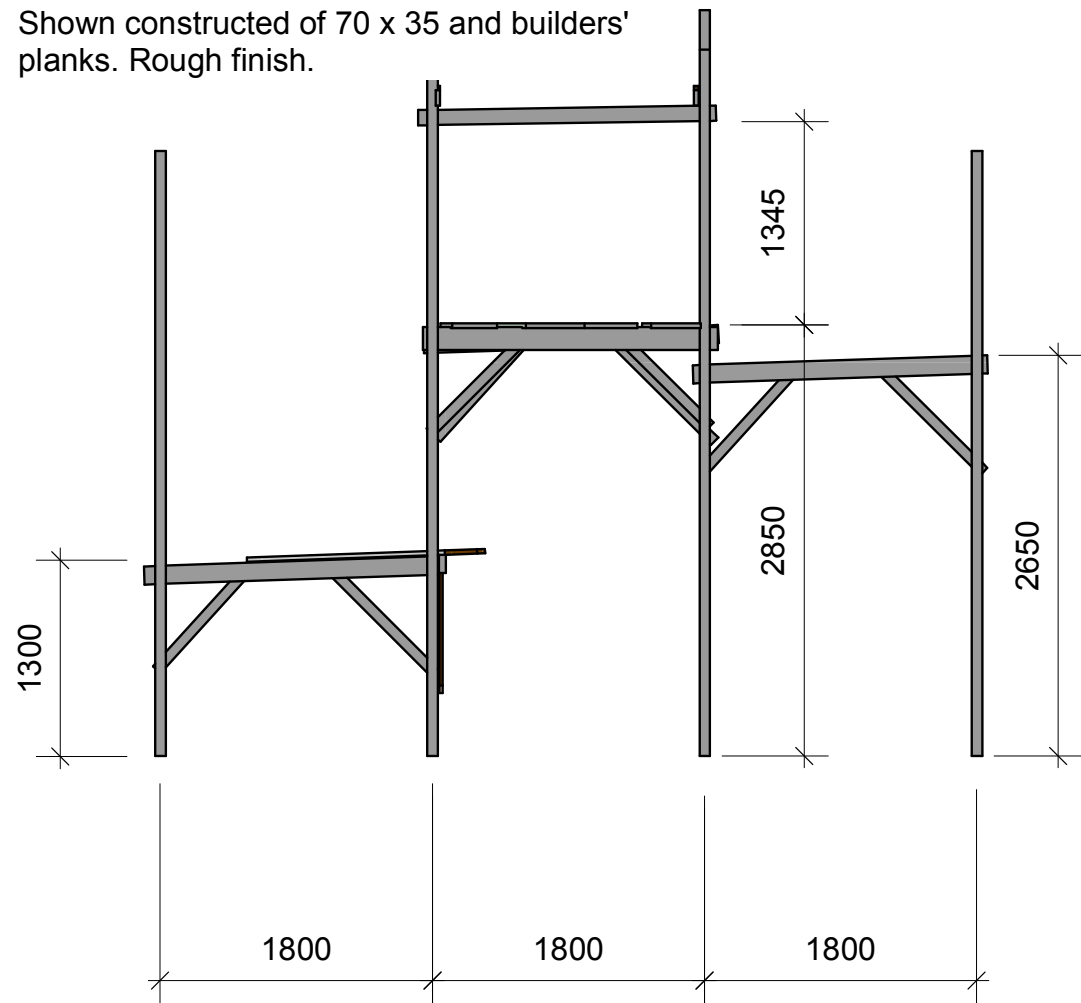
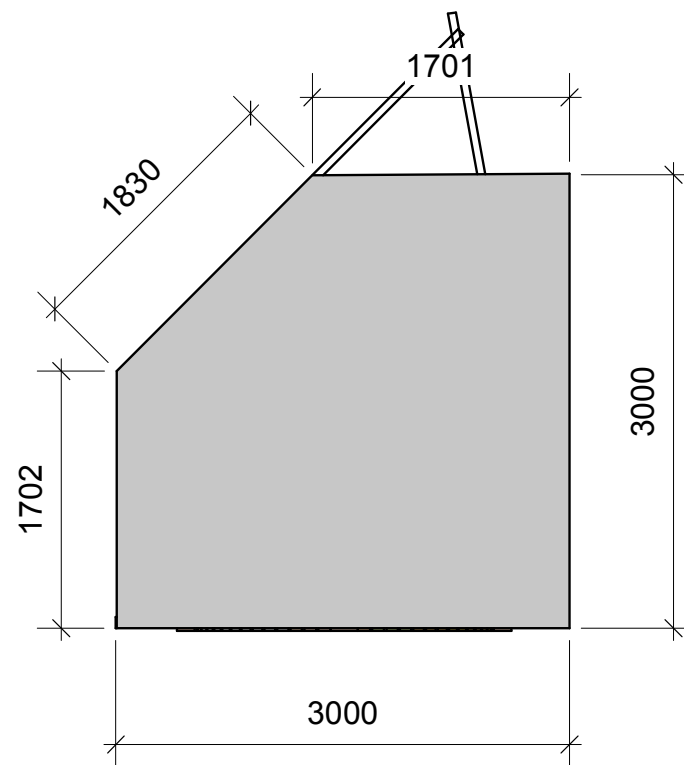
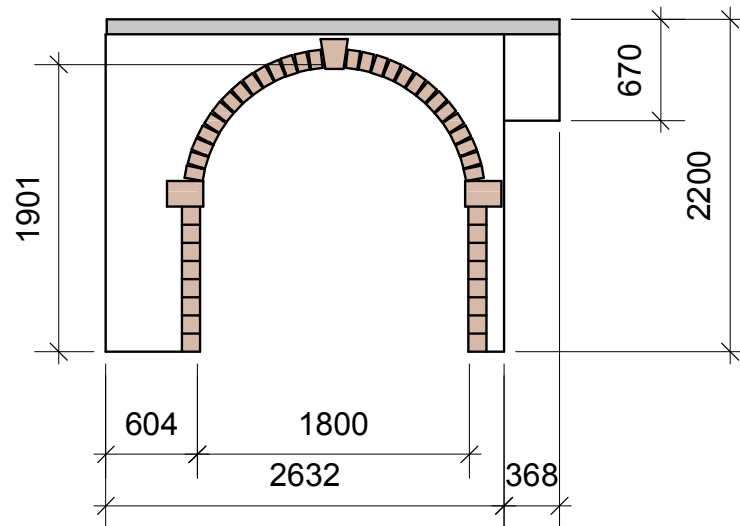


**Scaffolding towers - 2 required, OP shown, mirrored for PS.**

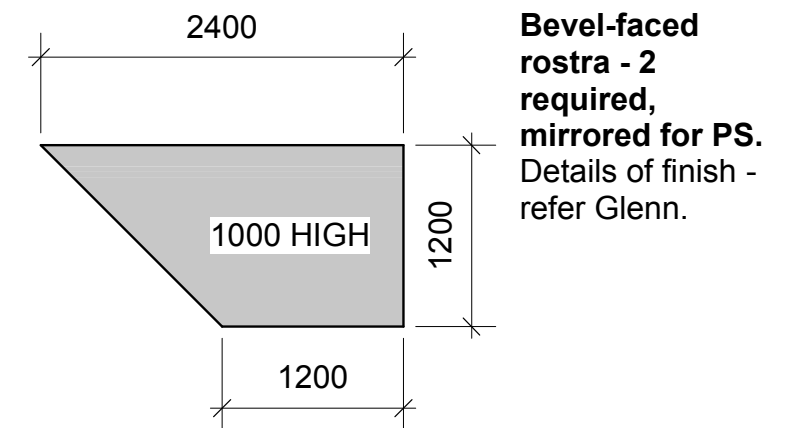
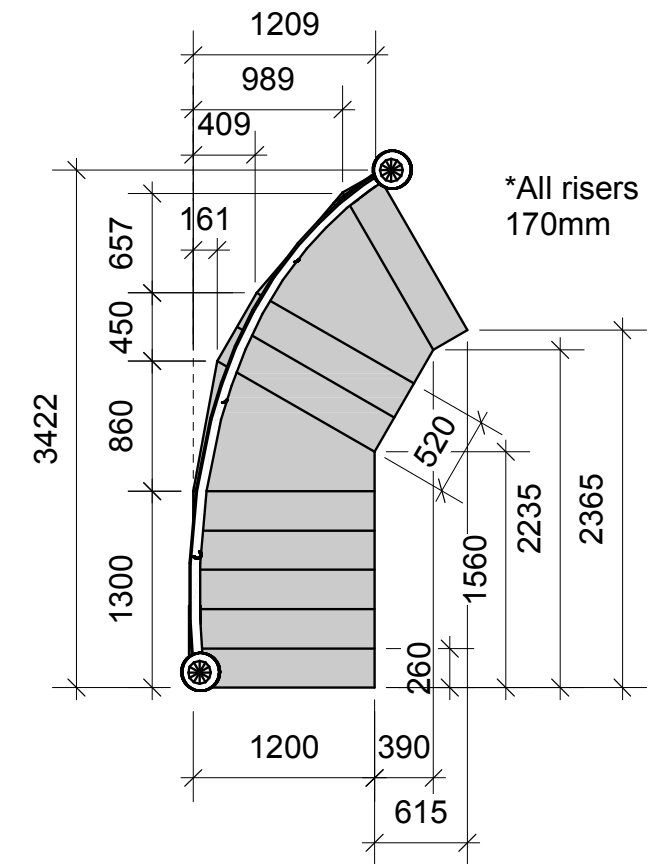
Shown constructed of 70 x 35 and builders' planks. Rough finish.



**Arches - 2 required, OP shown, mirrored for PS.**  
Details of finish - refer Glenn.



**Stairways - 2 required, mirrored for PS.**  
Details of finish - refer Glenn.



DRAWING: Staging - mid level dimensioned 2

PROJECT: Cats

COMPANY: ExitLeft Productions

DESIGNER: Glenn Jeffries. DRAWINGS - Bob Dickason

SCALE: 1:50

FILE: 498EXI

DATE: 17.08.07

VERSION:  
3.0