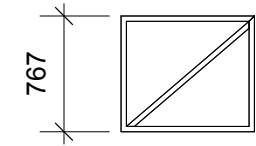
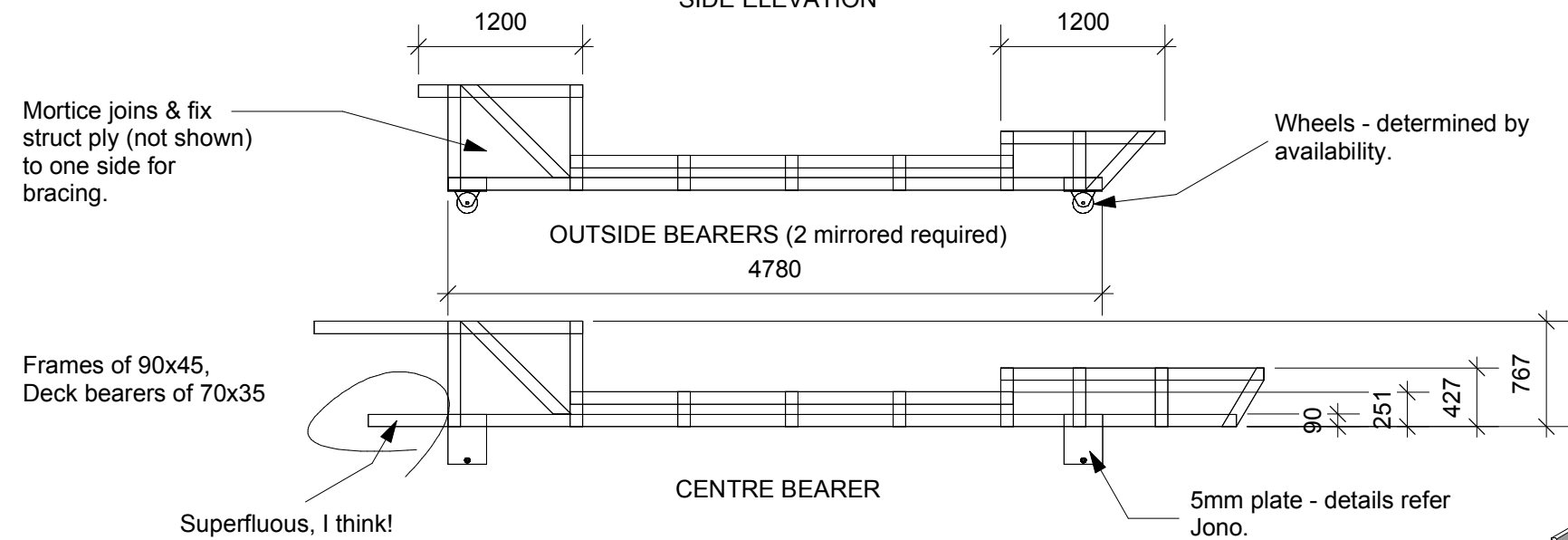
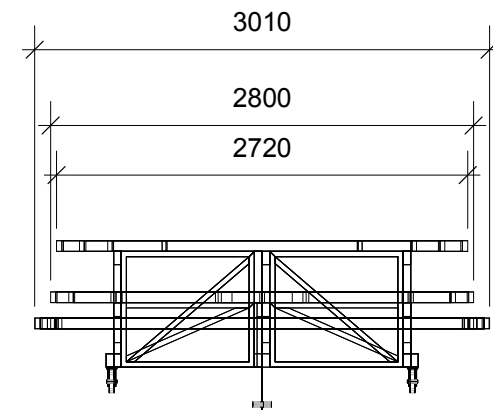
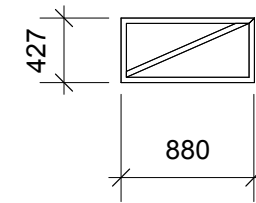


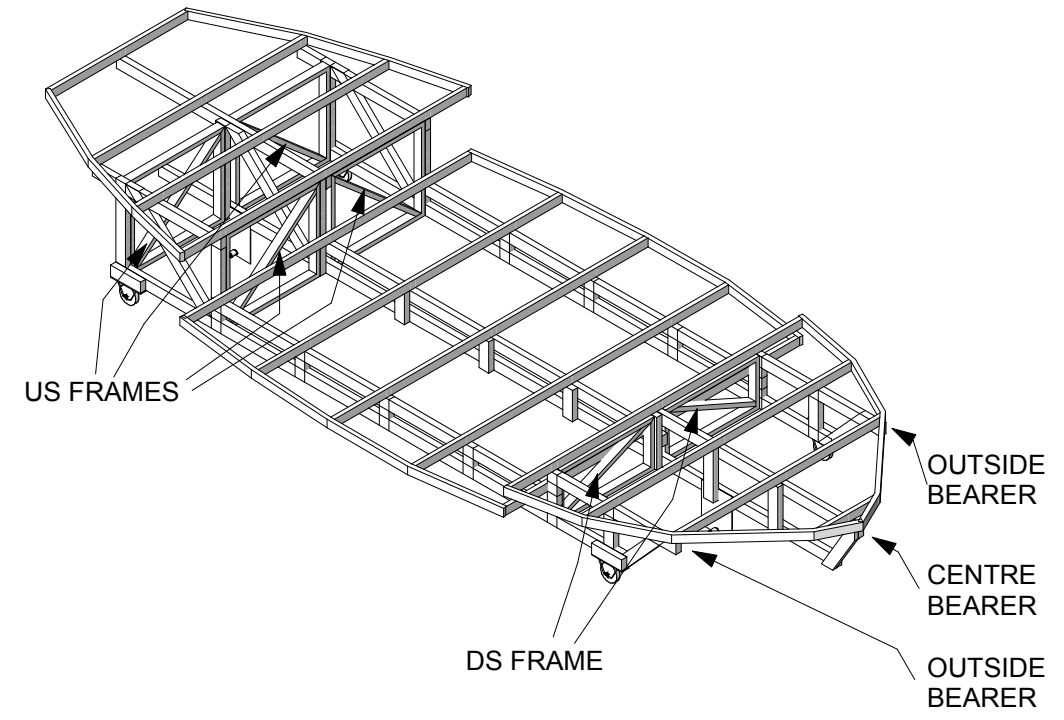
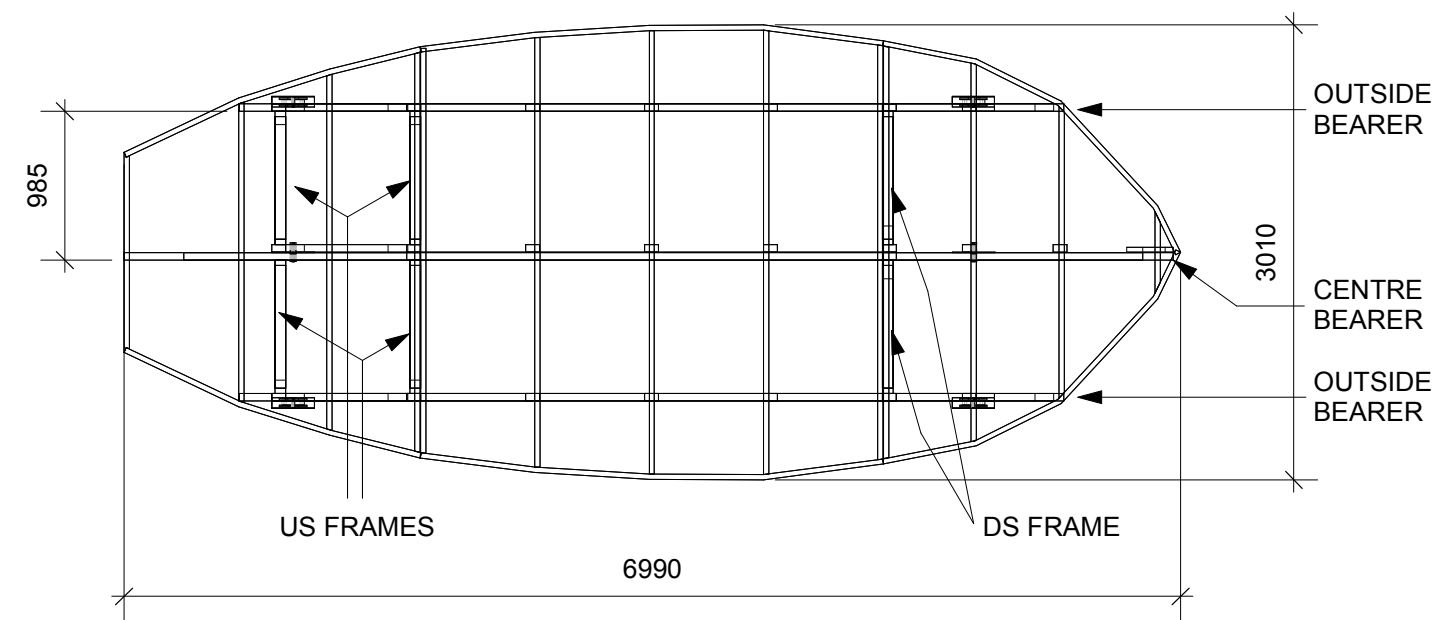
SIDE ELEVATION



US FRAME (mirrored, 2 of each required - total of 4 items)



DS FRAME (2 mirrored required)



©2007 - ALL RIGHTS RESERVED
 Bob Dickason 172 Scamander Ave Scamander Tas 7215
 www.bobdickason.com

NOTE: All dimensions to be checked before construction.
 Colours shown are schematic only.

DRAWING: Ship frame
 PROJECT: CATS set realisation
 COMPANY: ExitLeft Productions
 DESIGNER: Bob Dickason

VERSION:
 6

SCALE: 1:50 FILE: 498EXI DATE: 28.9.07