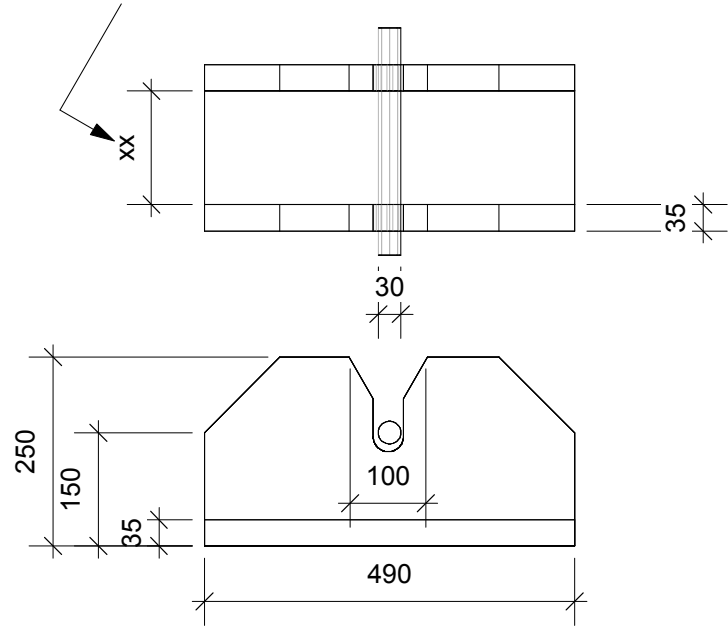
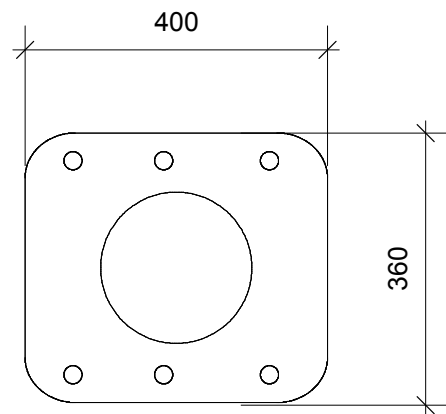


This dimension depends on mast diameter.

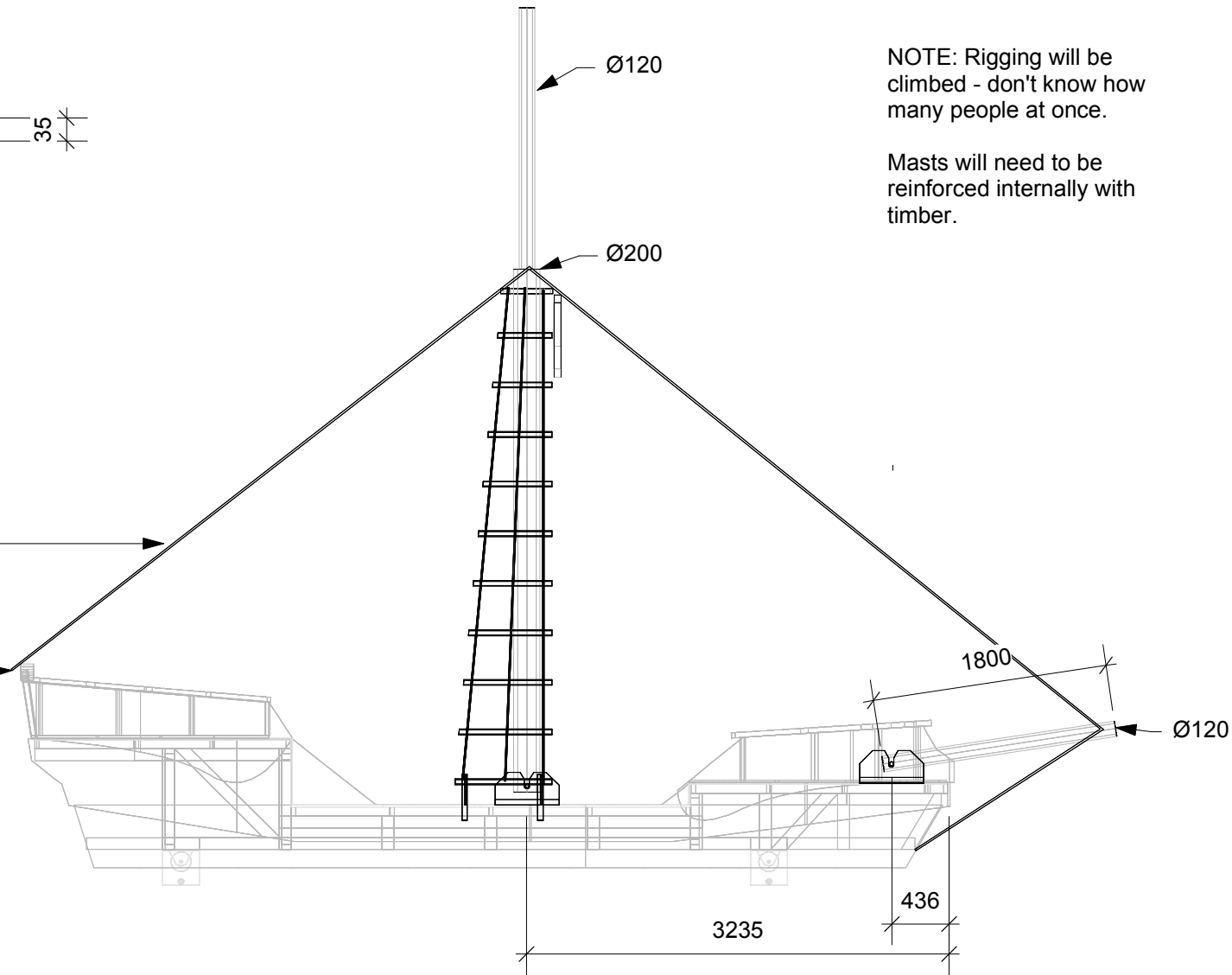


MAST SOCKETS
Scale 1:10

This line will be quite tight so fixing point will need stronger framing than that shown. Oooops....;-)

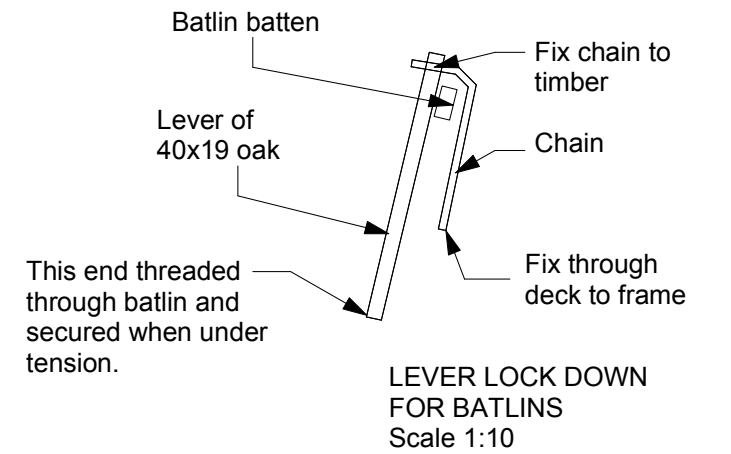
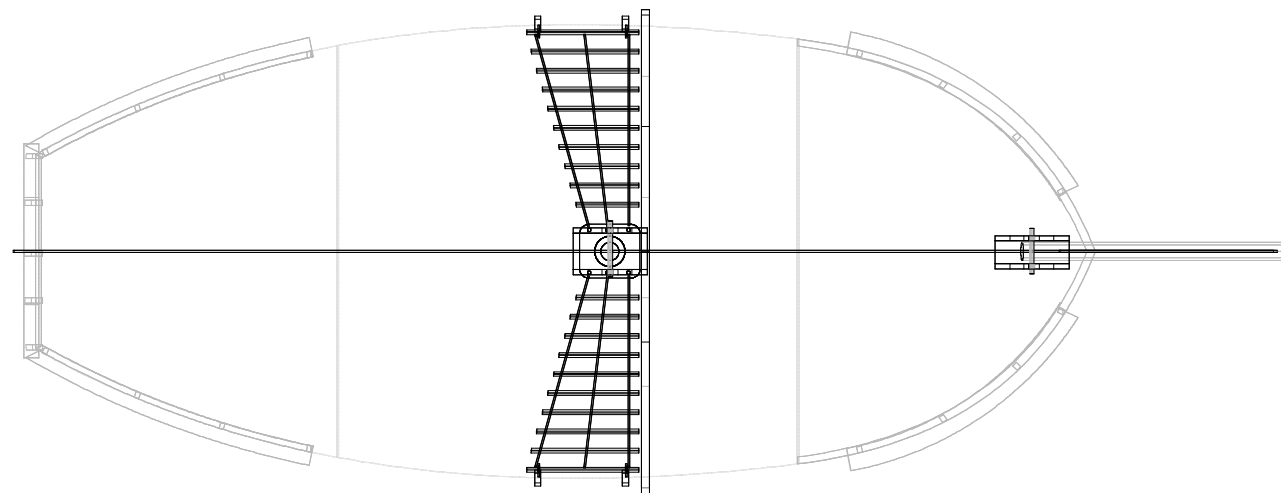
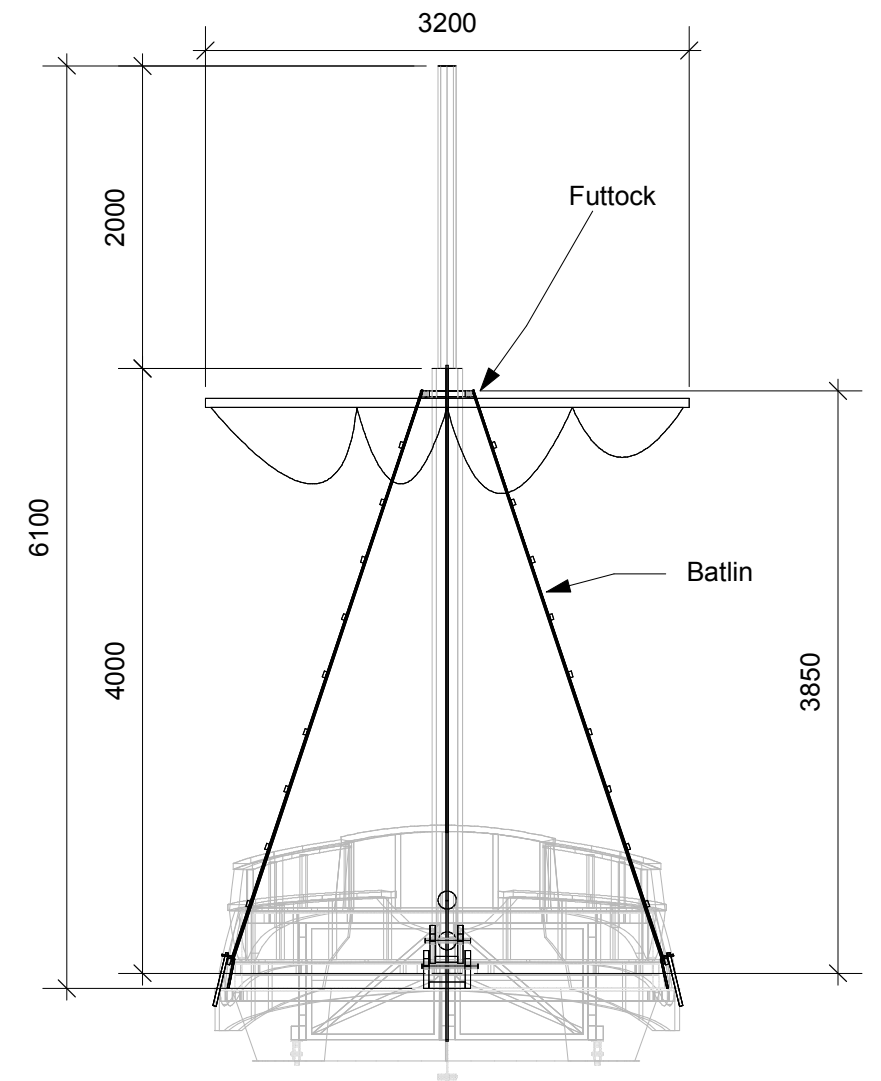


FUTTOCK
Scale 1:10



NOTE: Rigging will be climbed - don't know how many people at once.

Masts will need to be reinforced internally with timber.



LEVER LOCK DOWN
FOR BATLINS
Scale 1:10

©2007 - ALL RIGHTS RESERVED
Bob Dickason 172 Scamander Ave Scamander Tas 7215
www.bobdickason.com

NOTE: All dimensions to be checked before construction.
Colours shown are schematic only.

DRAWING: Ship rigging
PROJECT: CATS set realisation
COMPANY: ExitLeft Productions
DESIGNER: Bob Dickason

SCALE: 1:50

FILE: 498EXI

DATE: 29.9.07

VERSION:
6